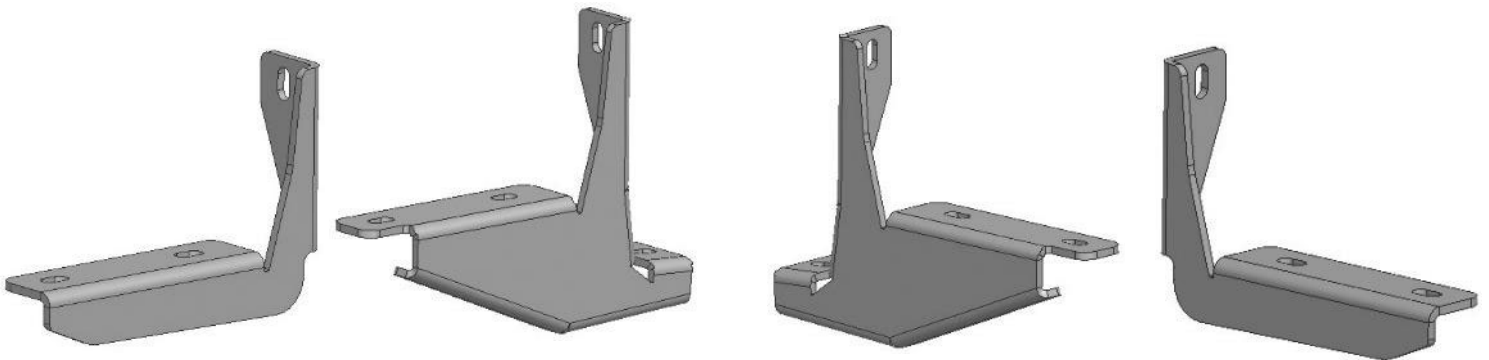


Aggressive Running Board
2024 – 2026 Chevy Silverado EV (excl. WT and trims without cover panels)

INSTALLATION INSTRUCTIONS

PARTS LIST:

Qty	Item Description	Qty	Item Description
2	Running Board	10	8mm Double Bolt Plates
4	Driver/Left Mounting Brackets	18	8mm x 30mm Hex Bolts
4	Passenger/Right Mounting Brackets	38	8mm Lock Washers
1	Driver/Left Support Brackets	38	8mm x 24mm x 2mm Flat Washers
1	Passenger/Right Support Brackets	20	8mm Hex Nuts



Passenger/Right Support Bracket

Passenger/Right Mounting Bracket

Driver/Left Mounting Bracket

Driver/Left Support Bracket



Hex Bolt



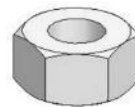
Double Bolt Plate



Flat Washer

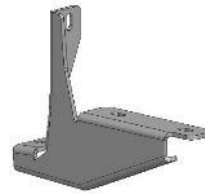
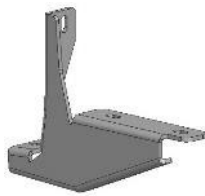
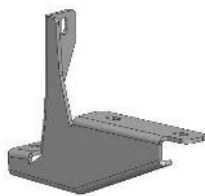
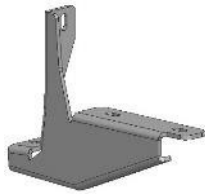


Lock Washer

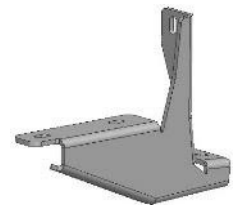
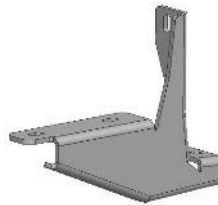
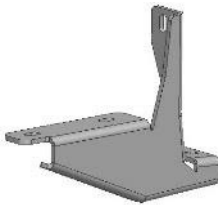
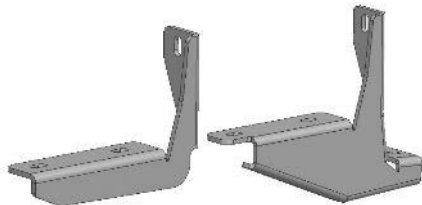


Hex Nut

Front



Driver Side Running Board

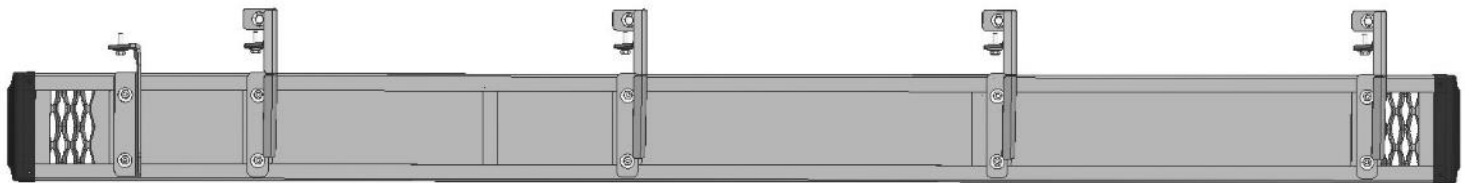


Front

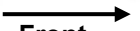


Passenger Side Running Board

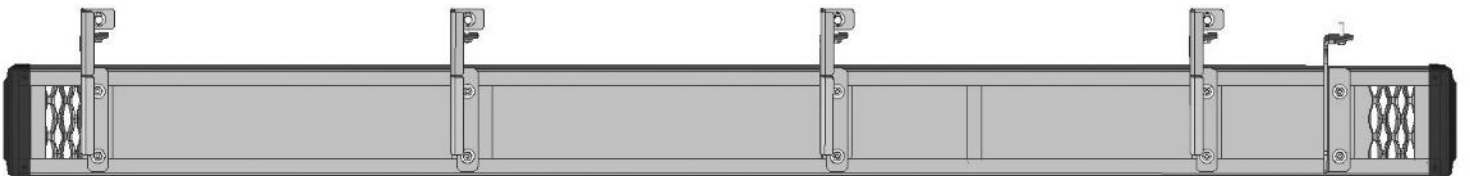
Bottom View



Aggressive Running Board Driver Side



Front



Aggressive Running Board Passenger Side

Front



TOOLS REQUIRED



Ratchet



13mm Socket



Extensions

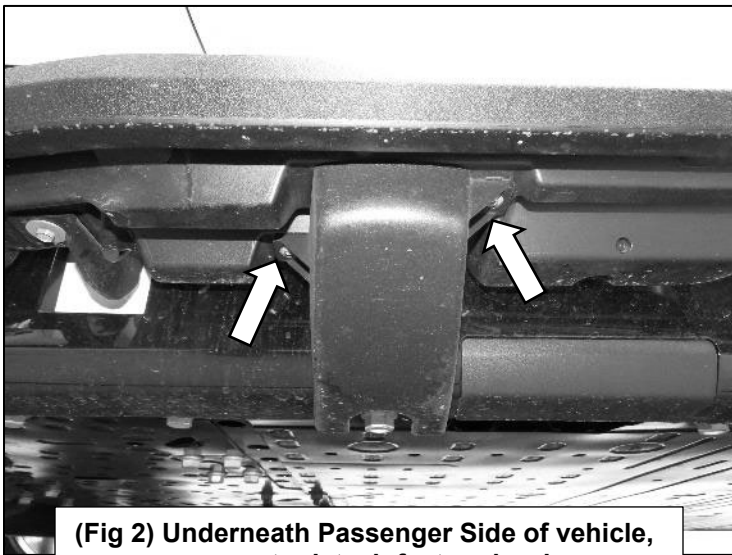


Wrench

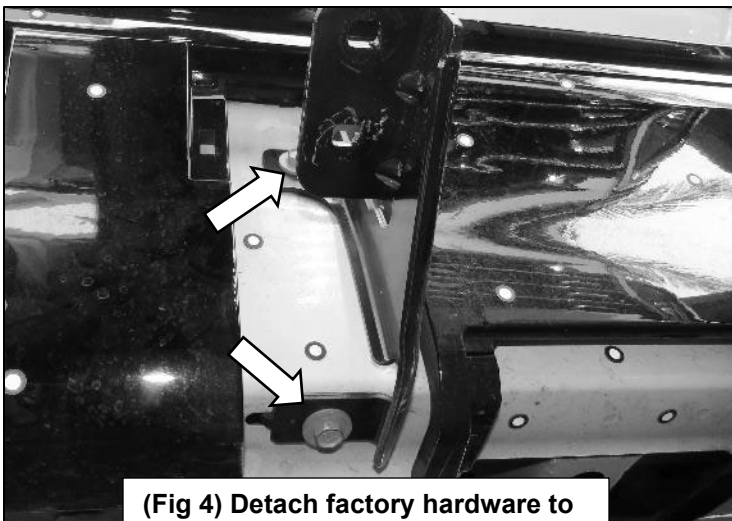
- 1** Follow (Fig 1 –4) to remove OE Running Board and OE Brackets on Passenger Side. Repeat the following steps on the Driver Side.



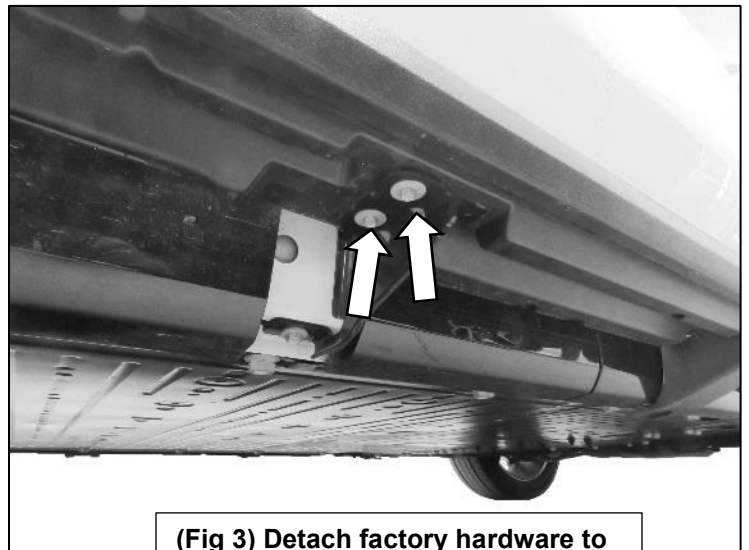
(Fig 1) Start underneath board to remove OE Running Board.



(Fig 2) Underneath Passenger Side of vehicle, remove covers to detach factory hardware.



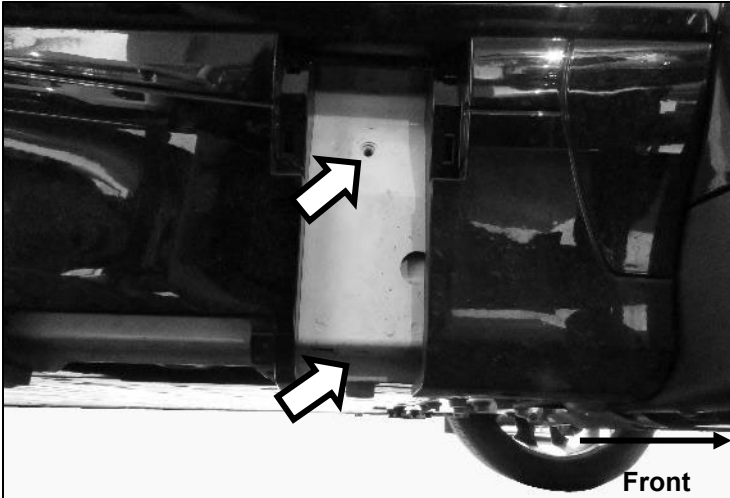
(Fig 4) Detach factory hardware to remove OE Brackets.



(Fig 3) Detach factory hardware to remove OE Running Board.

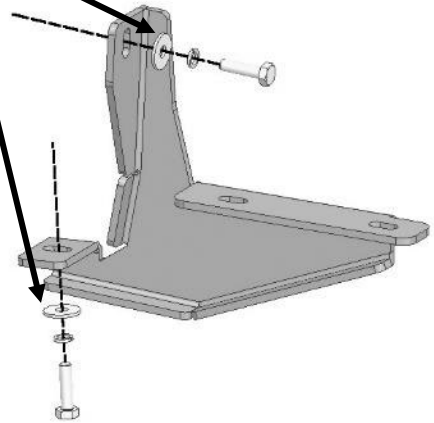
NOTE: There is also a cover hiding the top mounting point for the OE brackets, detach the cover by pulling top section out and then upward.

2 Follow (Fig 5 – 17) to attach Aggressive Running Board Brackets to the Passenger Side. **Only hand tighten hardware and brackets at this time.** Repeat the following steps on the Driver Side.

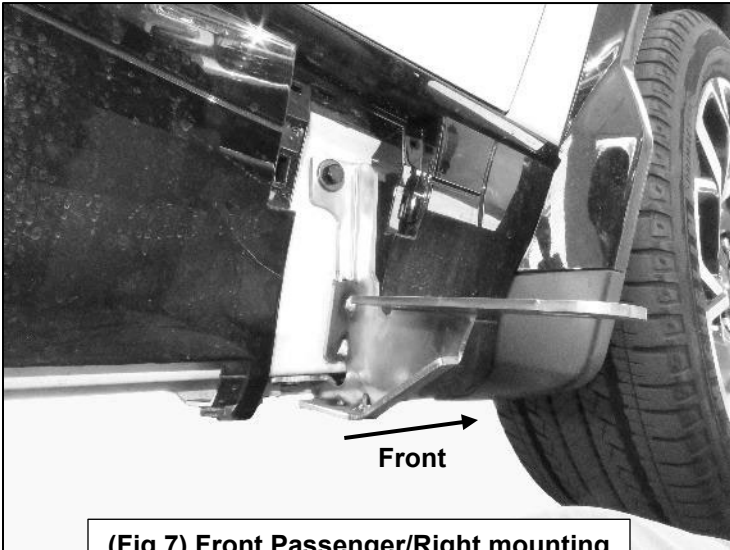


(Fig 5) Locate the Passenger Side Front mounting location and attach a mounting bracket.

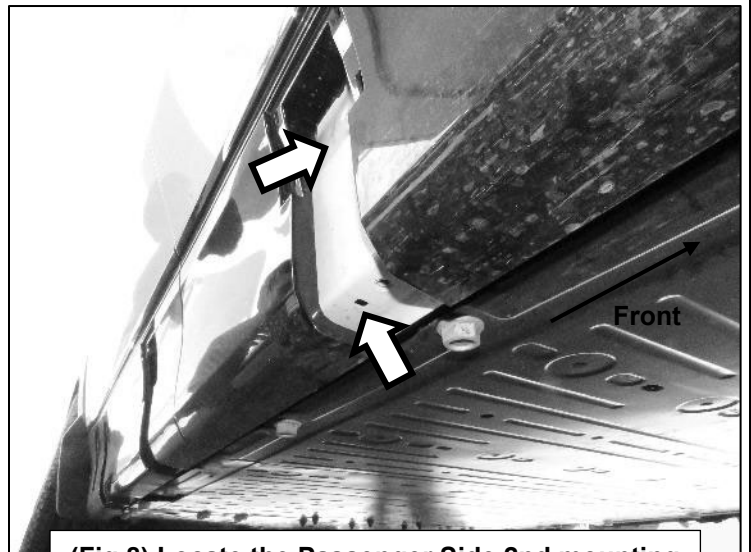
- (2) 8 x 30mm Hex Bolts
- (2) 8mm Lock Washers
- (2) 8mm x 24mm x 2mm Flat Washers



(Fig 6) Attach Passenger/Right Mounting Bracket to Passenger Side Front mounting location using indicated hardware.

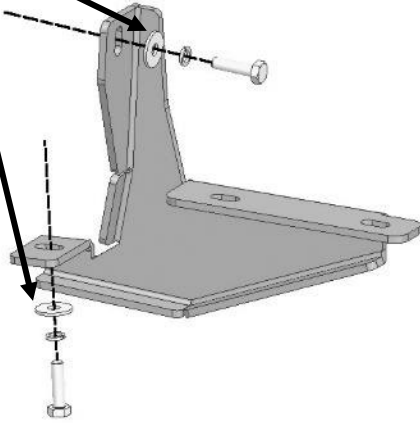


(Fig 7) Front Passenger/Right mounting bracket attached.

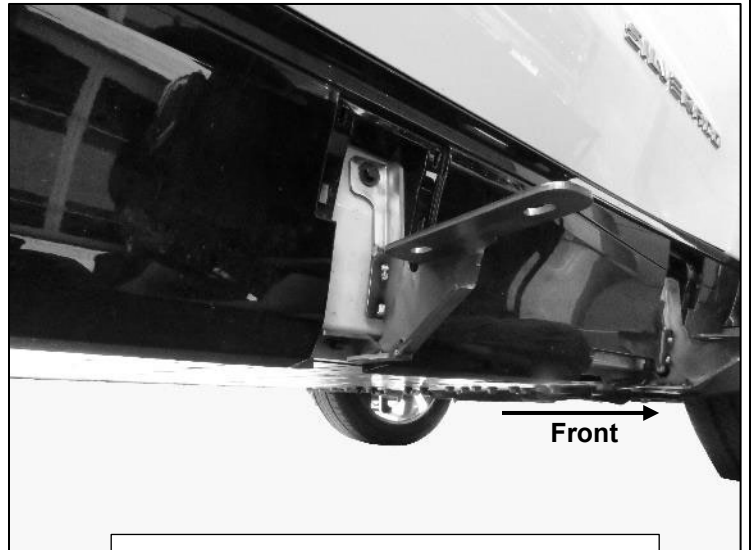


(Fig 8) Locate the Passenger Side 2nd mounting location and attach mounting bracket.

- (2) 8 x 30mm Hex Bolts
- (2) 8mm Lock Washers
- (2) 8mm x 24mm x 2mm Flat Washers

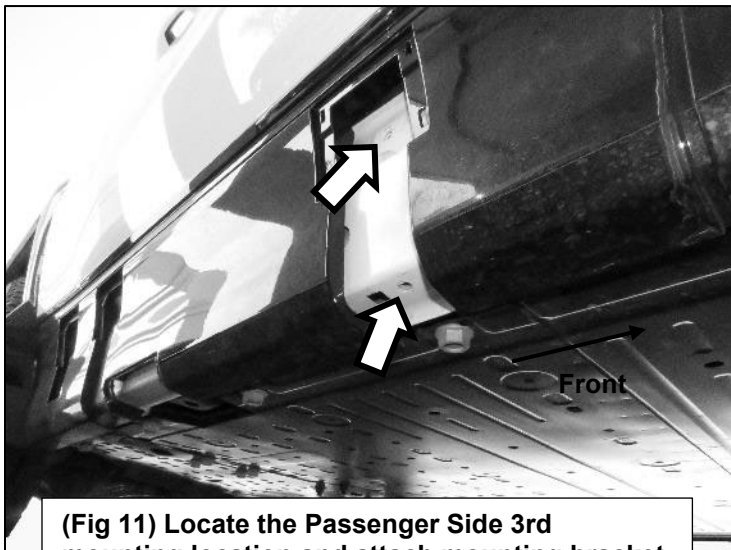


(Fig 9) Attach a mounting bracket to 2nd Passenger Side mounting location using indicated hardware.

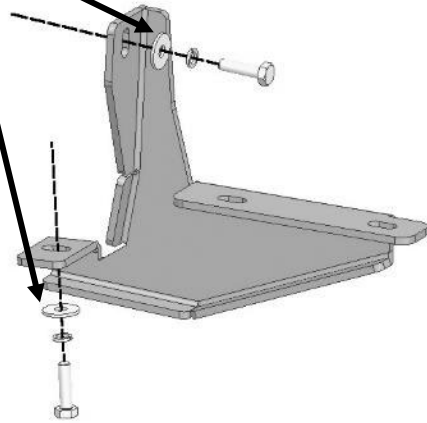


(Fig 10) 2nd Passenger/Right Mounting Bracket attached.

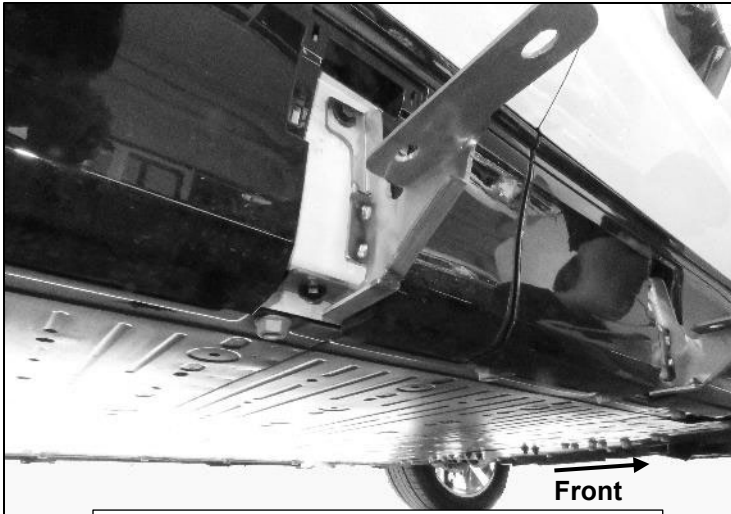
- (2) 8 x 30mm Hex Bolts
- (2) 8mm Lock Washers
- (2) 8mm x 24mm x 2mm Flat Washers



(Fig 11) Locate the Passenger Side 3rd mounting location and attach mounting bracket.

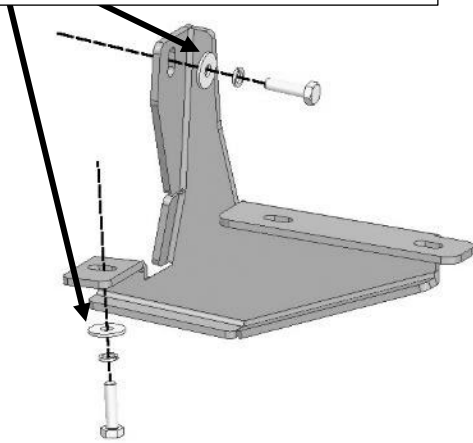


(Fig 12) Attach a mounting bracket to 3rd Passenger Side mounting location using indicated hardware.

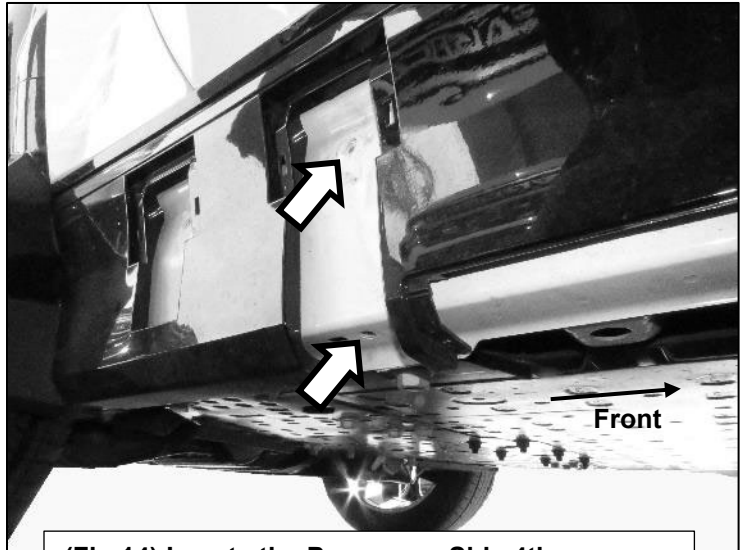


(Fig 13) 3rd Passenger/Right Mounting Bracket attached.

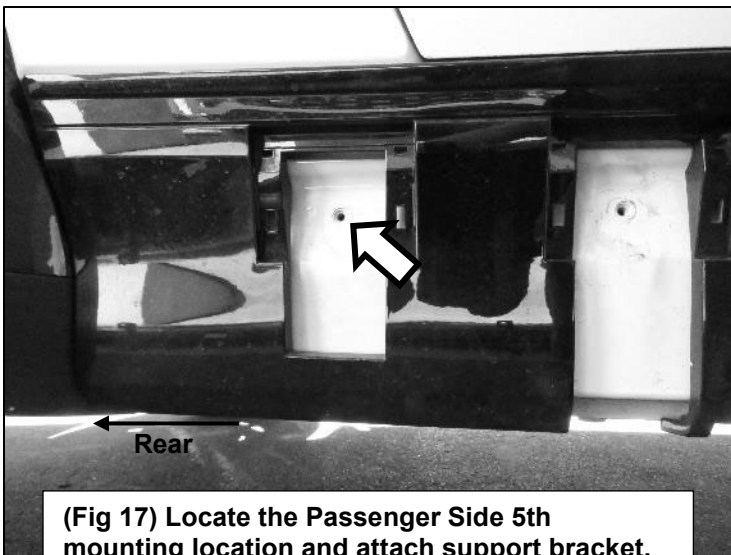
- (2) 8 x 30mm Hex Bolts
- (2) 8mm Lock Washers
- (2) 8mm x 24mm x 2mm Flat Washers



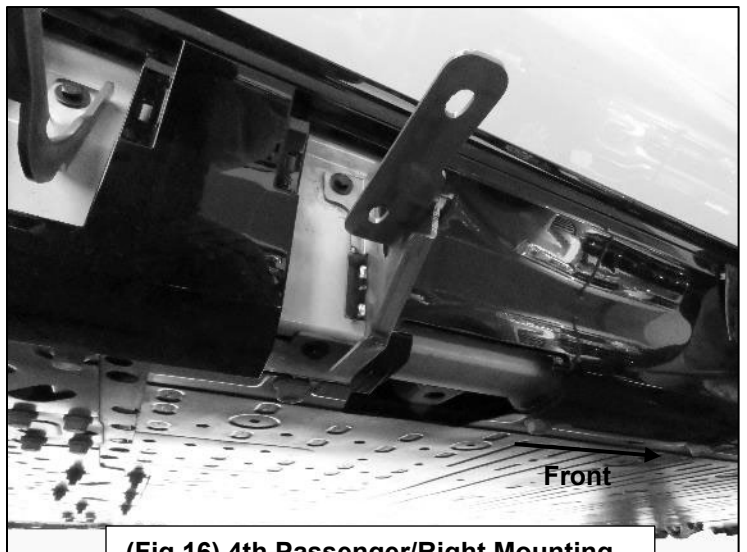
(Fig 15) Attach a mounting bracket to 4th Passenger Side mounting location using indicated hardware.



(Fig 14) Locate the Passenger Side 4th mounting location and attach mounting bracket.

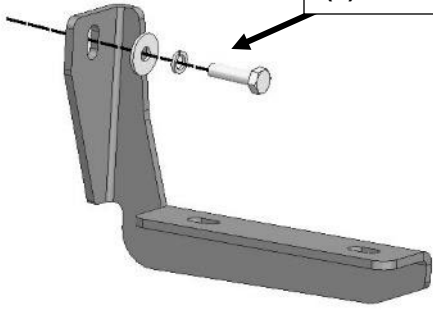


(Fig 17) Locate the Passenger Side 5th mounting location and attach support bracket.



(Fig 16) 4th Passenger/Right Mounting Bracket attached.

- (1) 8 x 30mm Hex Bolts
- (1) 8mm Lock Washers
- (1) 8mm x 24mm x 2mm Flat Washers

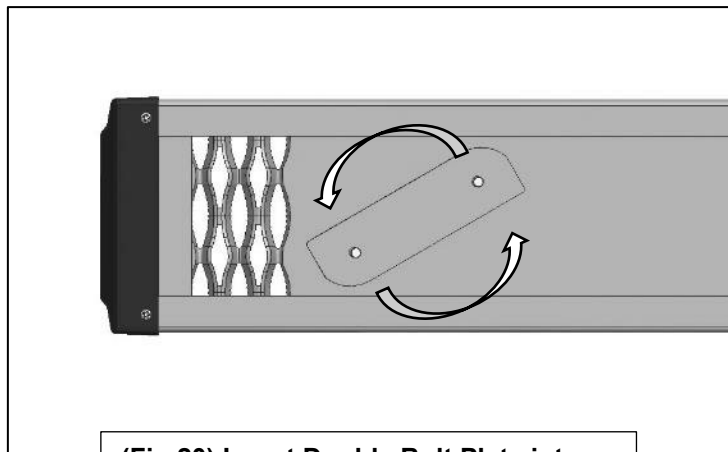


(Fig 18) Attach a support bracket to 5th Passenger Side mounting location using indicated hardware.

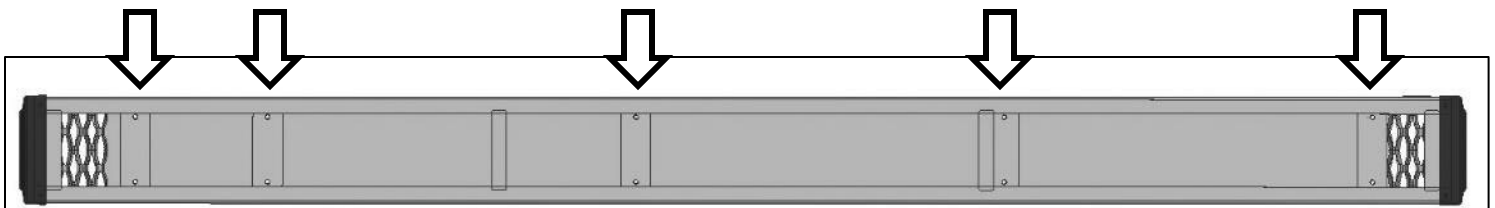


(Fig 19) 5th Passenger/Right Support Bracket attached.

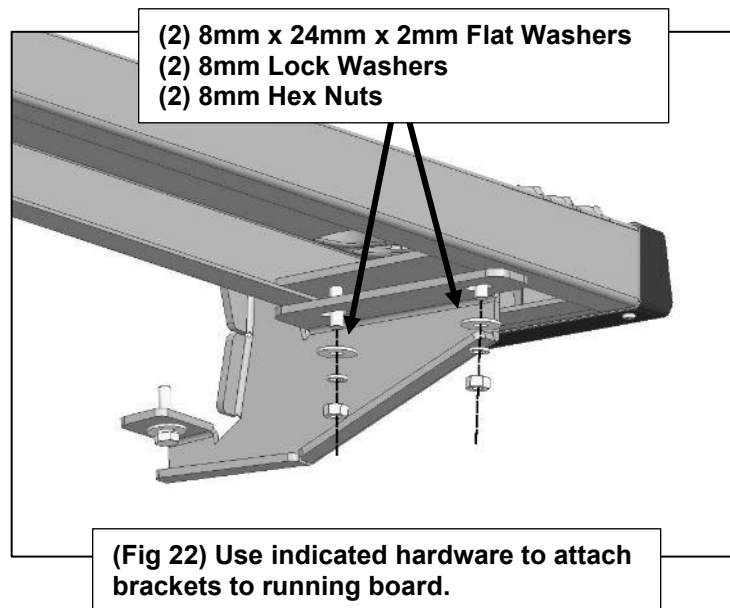
3 Follow (Fig 20 - 22) to install the Aggressive Running Board. Repeat the following steps on the Driver Side.



(Fig 20) Insert Double Bolt Plate into Aggressive Running Board Channels.



(Fig 21) Installed Double Bolt Plates



- 4** Installation is complete. Do periodic inspections to the installation to **make sure that all hardware is secure and tight after preferred adjustments.**

